

---

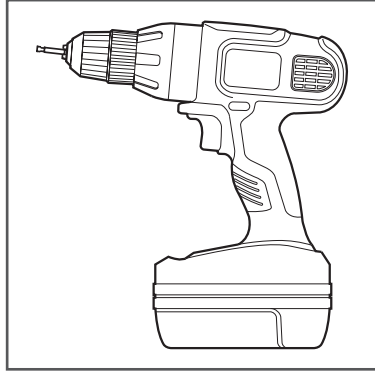
**BDH**



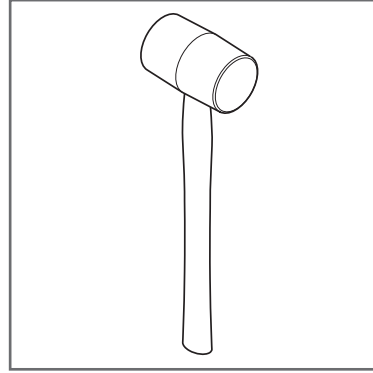
# Cottage X Door

ASSEMBLY INSTRUCTIONS

## COTTAGE X BARN DOOR Recommended Tools

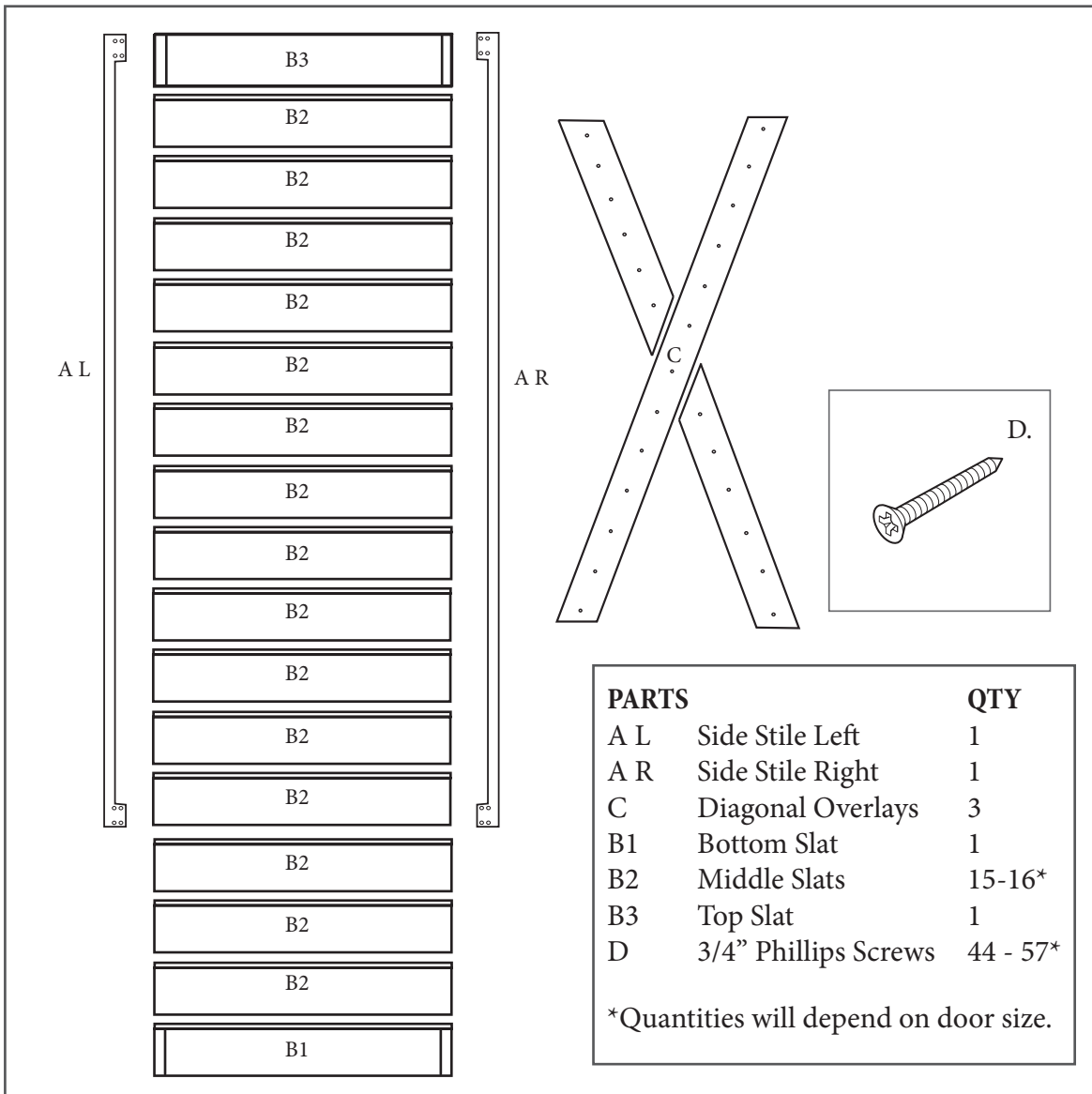


Drill with Phillips Bit

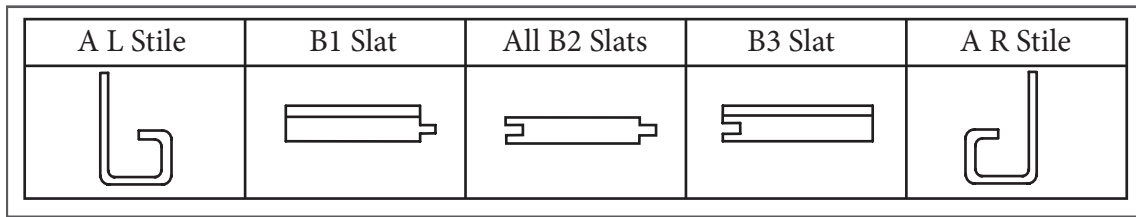


Rubber Mallet

## COTTAGE X BARN DOOR Parts



## COTTAGE X BARN DOOR Before You Begin



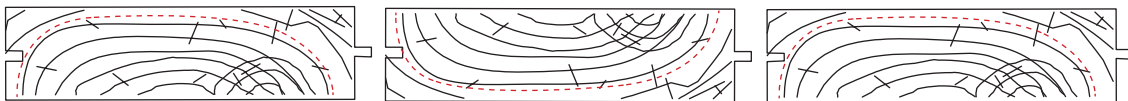
Slat and Stile End Views

### FIRST THINGS FIRST

Lay out all wood parts before beginning assembly to ensure parts have not been damaged in shipping. If damage has occurred, call 1(888) 909-6546 and BarnDoors & Hardware will expedite a replacement.

**NOTE:**

This door model comes in various sizes. The instructions have been written for the average single door size; but larger doors may have more wood and fastener parts.

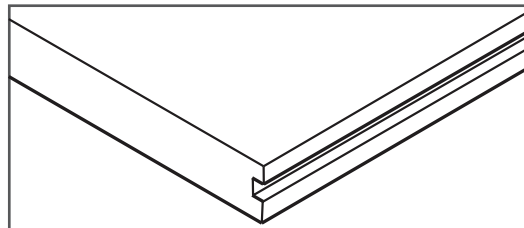


**NOTE:**

Always alternate the direction of the wood grain when assembling slats. This will add strength to the assembly and help prevent warpage.

**NOTE:**

Doors using Floor Mount Door Guides will have a groove on the bottom edge. Ensure this groove is on the bottom when hanging the door.



**USE TEAMWORK - WE RECOMMEND  
TWO PEOPLE FOR THIS BUILD.**

# COTTAGE X BARN DOOR Assembly Instructions

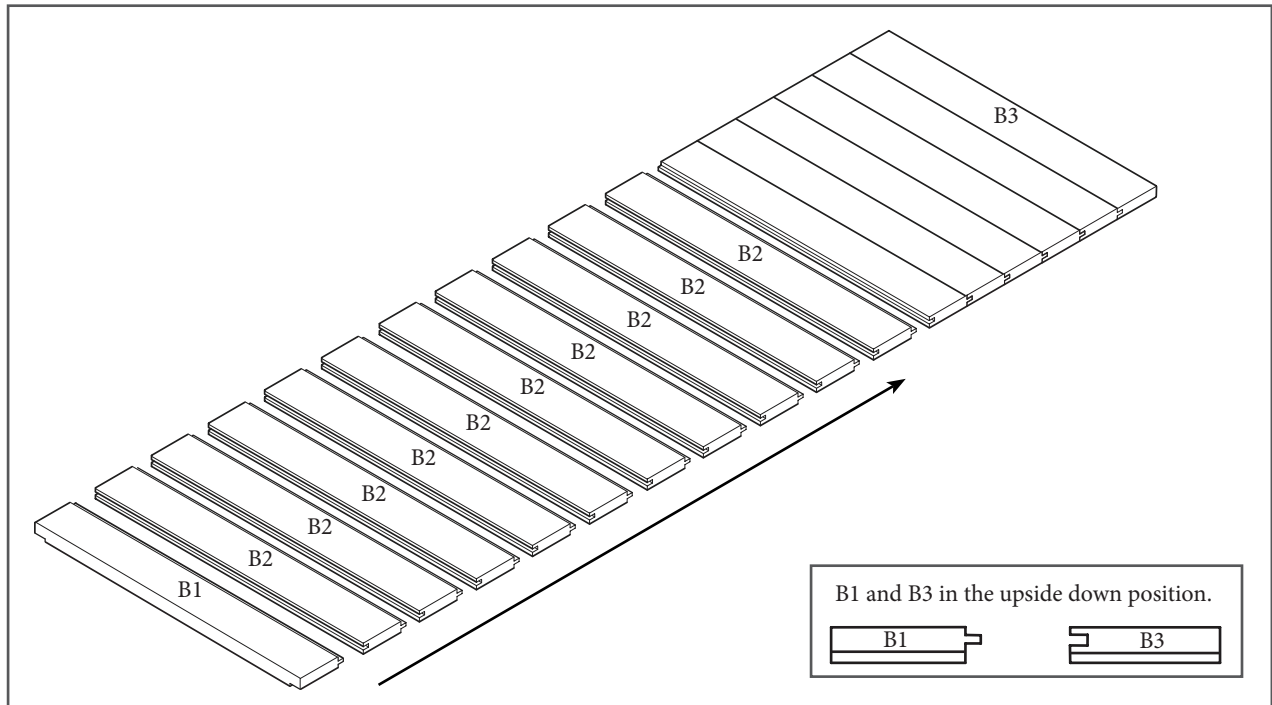
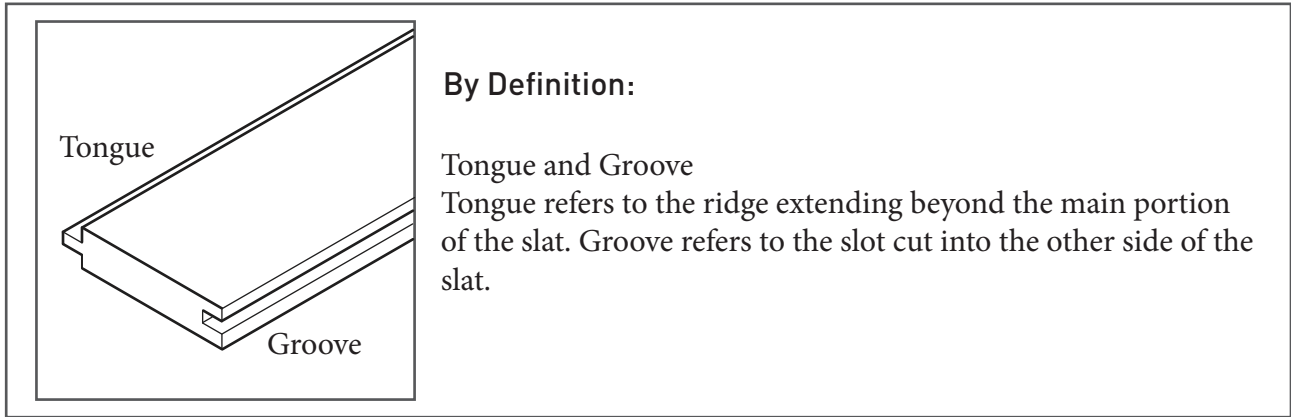


Figure 1

1. On a flat, clean, surface, lay the B1 slat upside down with the tongue facing toward the top of the door assembly. Lay all B2 slats above B1 with the tongue facing toward the top. Lay the B3 slat up side down at the top of the last B2 slat with the groove facing toward the bottom of the door assembly. Assemble by fitting the tongue into the groove of each piece, tapping them together with a rubber mallet (Figure 1).

**NOTE:**  
The following should be a 'dry' assembly. Do not use adhesives in when putting this door together.

## COTTAGE X BARN DOOR Assembly Instructions

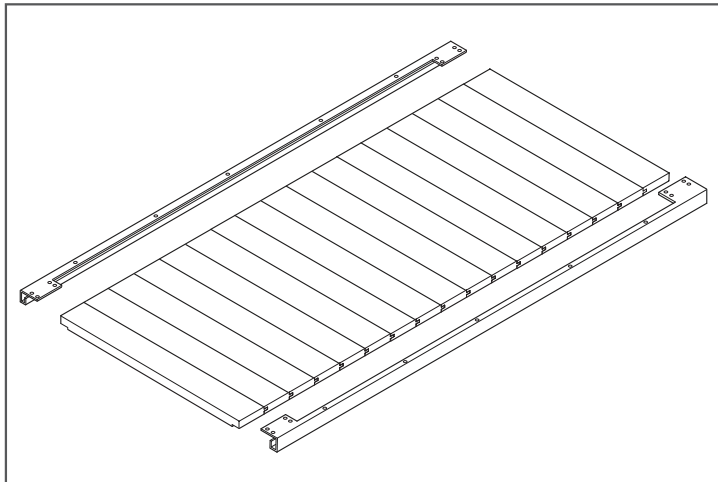


Figure 2

2. Attach stiles with phillips screws (provided) using a drill with a phillips bit to the back of the door (Figure 2).

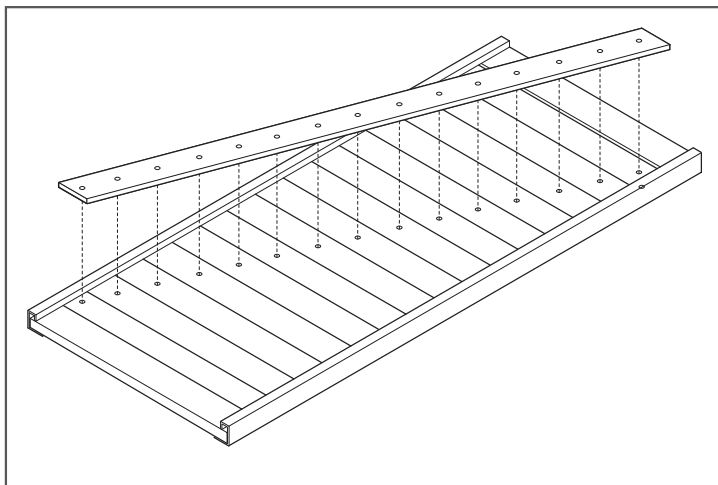


Figure 3

3. Turn the door over. Attach the long overlay (C) to the top of the door with phillips screws (provided) using a drill with a phillips bit (Figure 3).

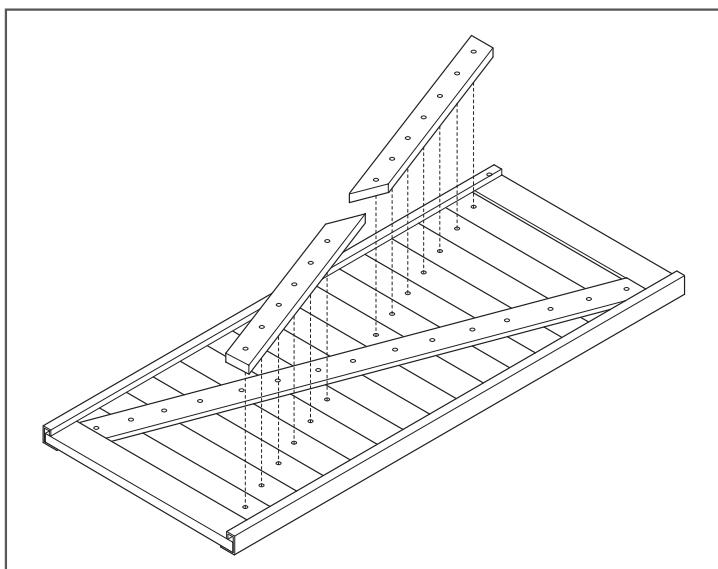


Figure 4

4. Attach the two short overlays (C) to the top of the door with phillips screws (provided) using a drill with a phillips bit (Figure 4).

# **We Love What You Are Doing With The Place**

**Congratulations on your decision to bring home  
An American made product of the highest quality.  
We hope your Cottage X Door brings art and function into  
your life.**

**Designed and crafted  
entirely in the  
U.S.A.**

